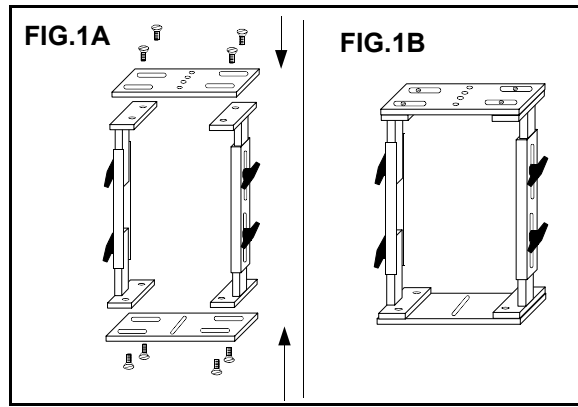
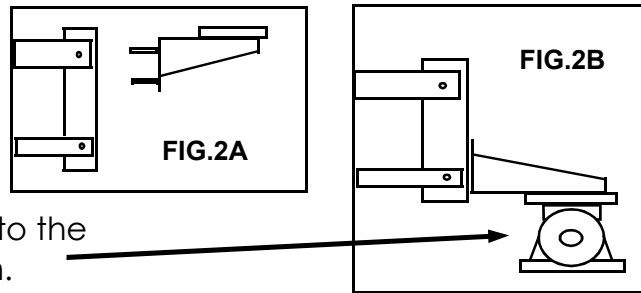


# EZ Undersling Instructions

1. If the EZ Undersling is not already assembled. Use the 3/8" flathead screws to attach the top & bottom plates to the side arms as shown in figure 1A to form the assembled EZ Undersling as shown in figure 1B.

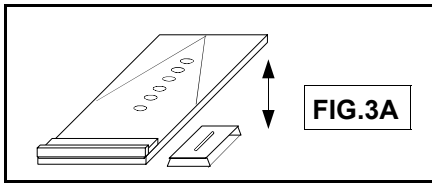


2. On the EZ FX Jib, remove the wing nuts that secure the camera platform to the end of the Jib. Invert the platform and re-connect it to the Jib with the wing nuts.



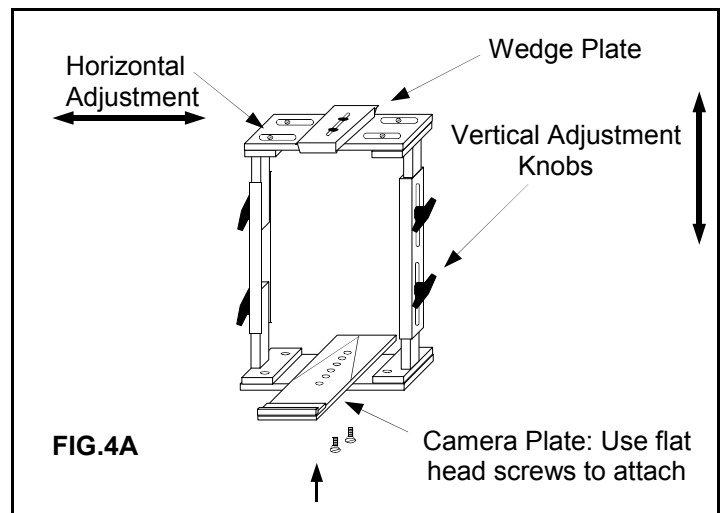
Re-attach your pan/tilt head to the now inverted camera platform.

3. Separate the camera plate from the wedge plate.



4. Attach the wedge plate to the top and the camera plate to the bottom of the EZ Undersling as shown in Fig. 4A. Use the slots to distribute the camera weight equally from front to back.

Vertical and horizontal adjustments can be made to the EZ Undersling, to accommodate various sized cameras.



5. After adjusting the EZ Undersling to fit your camera best. Attach the EZ Undersling to the inverted pan/tilt head on the end of the jib via the wedge plate. Don't forget to lock the wedge plate in place once it is attached.

